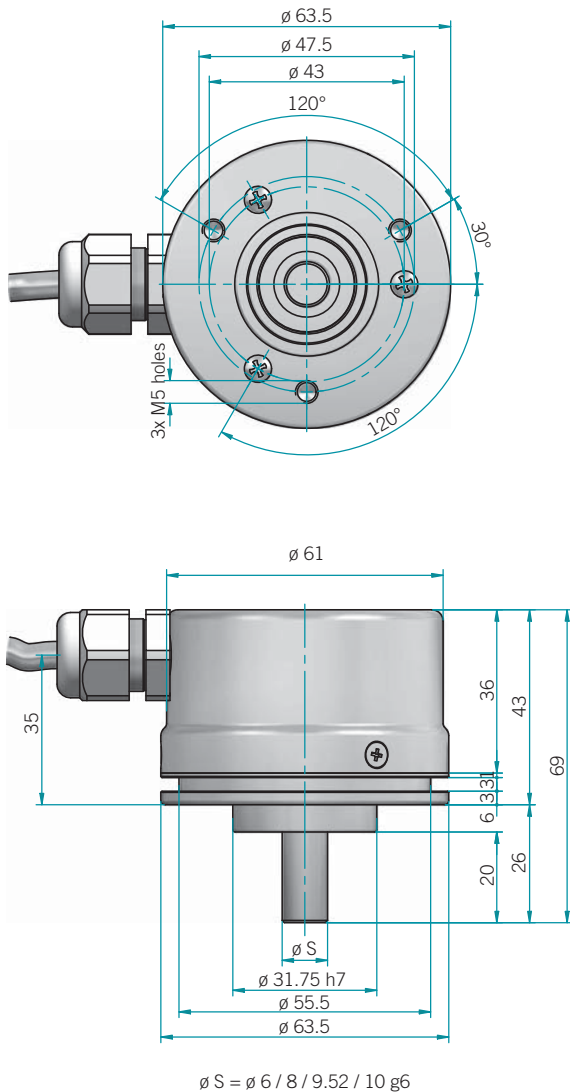




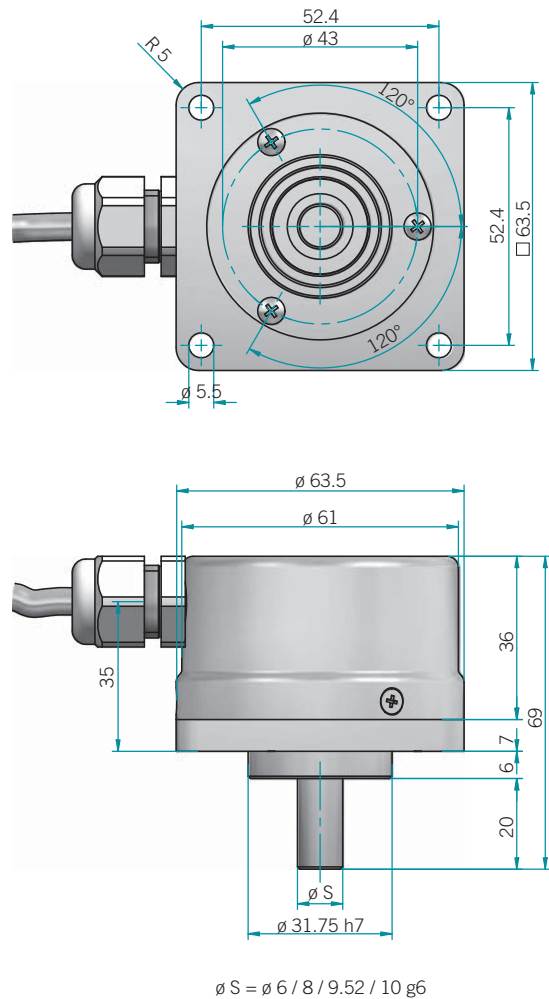
## EMI 63 AX



### Electrical specifications

<b>Resolution</b>	up to 2048 cpr
<b>Power supply</b>	5 V DC $\pm$ 5% 8 $\div$ 24 V DC
<b>Current consumption without load</b>	100 mA max
<b>Max load current</b>	15 mA per channel
<b>Output types</b>	push-pull line driver
<b>Max output frequency</b>	200 kHz
<b>Electromagnetic compatibility</b>	IEC 61000-6-2 IEC 61000-6-3

## EMI 63 DX



### Mechanical specifications

<b>Shaft diameter</b>	6 / 8 / 9.52 / 10 mm
<b>Enclosure rating</b>	IP54 standard IP66 optional
<b>Max rotation speed</b>	6000 rpm
<b>Shock</b>	50 G, 11 ms
<b>Vibration</b>	10 G, 10 $\div$ 2000 Hz
<b>Body material</b>	stainless steel
<b>Shaft material</b>	stainless steel
<b>Housing material</b>	stainless steel
<b>Bearings</b>	2 ball bearings
<b>Bearing lifetime</b>	$10^9$ revolutions
<b>Operating temperature</b>	-20 $\div$ 85 $^\circ$ C
<b>Storage temperature</b>	-30 $\div$ 100 $^\circ$ C
<b>Weight</b>	800 g