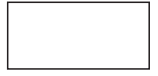


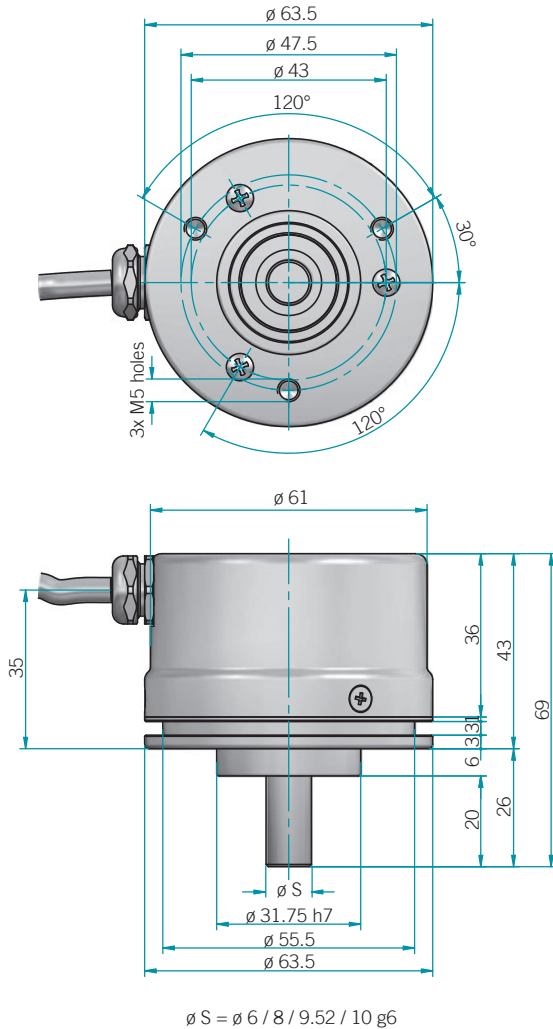


EMI 63 A / D



EMI 63 A / D

EMI 63 A

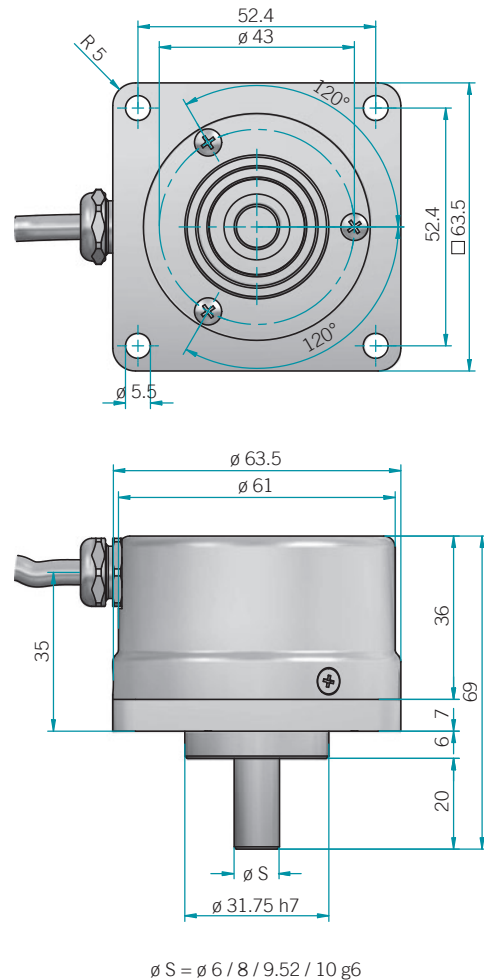


$\varnothing S = \varnothing 6 / 8 / 9.52 / 10 g6$

Electrical specifications

Resolution	up to 2048 cpr
Power supply	5 V DC \pm 5% 8÷24 V DC
Current consumption without load	100 mA max
Max load current	20 mA per channel
Output types	push-pull line driver
Max output frequency	205 kHz
Electromagnetic compatibility	IEC 61000-6-2 IEC 61000-6-3

EMI 63 D



$\varnothing S = \varnothing 6 / 8 / 9.52 / 10 g6$

Mechanical specifications

Shaft diameter	6 / 8 / 9.52 / 10 mm
Enclosure rating	IP54 standard IP66 optional
Max rotation speed	6000 rpm
Shock	50 G, 11 ms
Vibration	10 G, 10÷2000 Hz
Body material	aluminum UNI 9002/5
Shaft material	stainless steel UNI X10CrNiS1809
Housing material	aluminum UNI 9002/5
Bearings	2 ball bearings
Bearing lifetime	10 ⁹ revolutions
Operating temperature	-20÷100 °C
Storage temperature	-30÷100 °C
Weight	350 g