

Main features

Electronic handwheel series designed for positioning on CNC machines with manual drive.

- Resolution up to 10000 ppr with zero signal
- Several electronic output configurations available
- Up to 28 V DC power supply
- Output frequency up to 100 kHz
- Cable or connector output
- Several flanges available



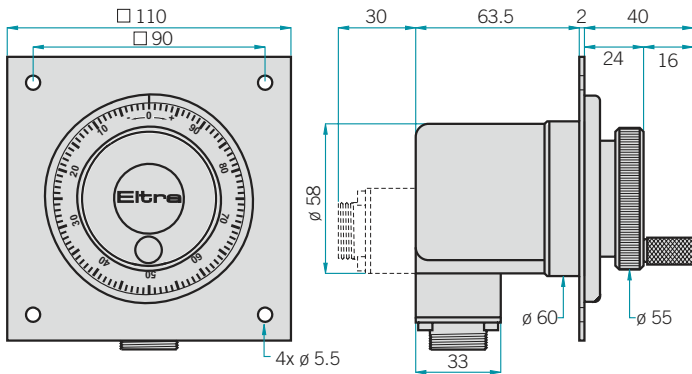
Ordering code

EV	A	M	100	Z	5	L	10	M	R	.	XXX	
electronic handwheel	Type of flange	Knob	Resolution	Zero pulse	Power supply	Shaft diameter	Output type	full stop to separate special versions				special version code numbered from 001 to 999
	EV A model A EV B model B EV C model C	with knob M without knob S	(EV A / B) ppr from 1 to 10000 (EV C) ppr 100 <i>please directly contact our offices for pulses availability</i>	without zero pulse S with zero pulse Z	5 V DC 5 (EV A / B) 5-28 V DC 5/28 <i>line driver available only with 5 V DC or 8-24 V DC power supply</i>	6 ø 6 mm (EV C) 10 ø 10 mm (EV A / B)	N NPN C NPN open collector P push-pull L line driver <i>please refer to page 92 for optionals about output types</i>	A axial (EV A / B) R radial	P cable output (standard length 1.5 m) (EV A / B) cable output (standard length 0.3 m) (EV C) M M connector output (EV A / B) J J connector output (EV A / B)			

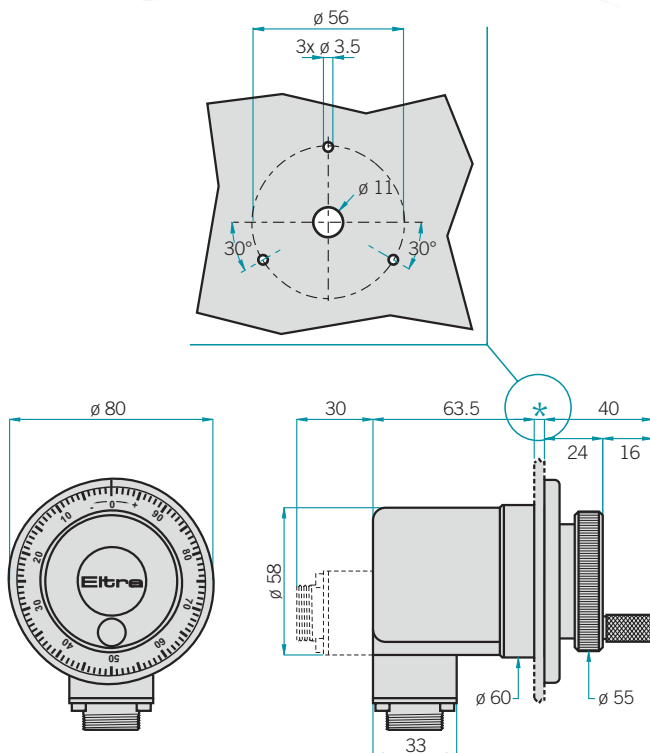
Other products

EVA / B / C

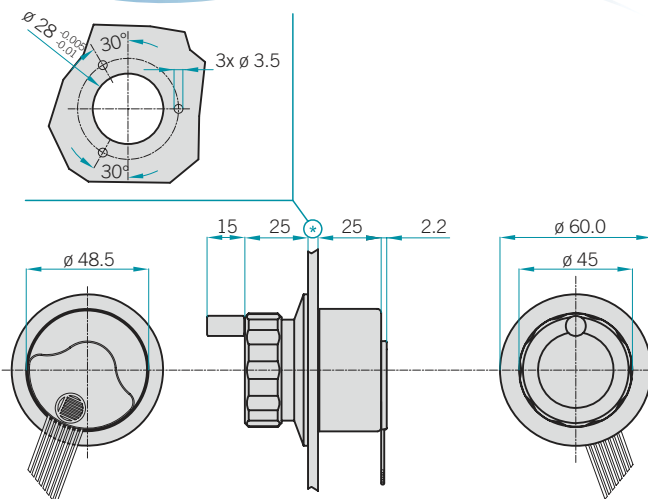
EV A



EV B



EV C



Electrical specifications

Resolution	from 1 to 10000 ppr (EV A / B) 100 ppr (EV C)
Power supply	5 V DC 5÷28 V DC (EV A / B) line driver available only with 5 V DC or 8÷24 V DC power supply
Current consumption without load	100 mA max.
Max. load current	50 mA for channel 20 mA for channel (line driver)
Output type	NPN / NPN open collector push-pull / line driver
Max. output frequency	100 kHz
Operating frequency	$F = \frac{\text{RPM} \cdot \text{Resolution}}{60}$

Mechanical specifications

Shaft diameter	ø 6 mm (EV C) ø 10 mm (EV A / B)
Enclosure rating	IP64 (EV A / B) IP40 (EV C)
Mechanical indexes per turn	100
Shock	50 G, 11 ms
Vibration	10 G, 10÷2000 Hz
Bearing life	10 ⁹ revolutions
Bearings	2 ball bearings
Shaft material	stainless steel UNI X10CrNiS1809
Body material	aluminium UNI 9002/5
Housing material	PA66 glass fiber reinforced (EV A / B) steel (EV C)
Operating temperature	0÷60 °C
Storage temperature	-25÷70 °C
Weight	150 g (EV C) 450 g (EV A / B)

