

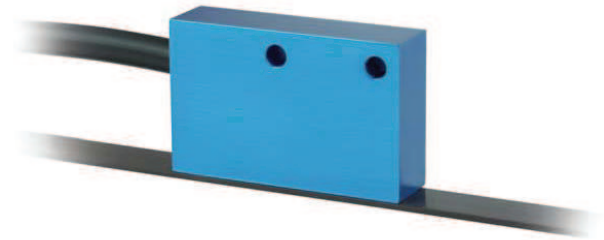
MAIN FEATURES

ETMA 1

- 0,025 mm resolution
- Zero pulse every 5 mm
- IP 67 as protection grade
- Working temperature -10° ... +60°C

ETMA 2

- 0,01 mm resolution
- Zero pulse every 2 mm
- IP 67 as protection grade
- Working temperature -10° ... +60°C

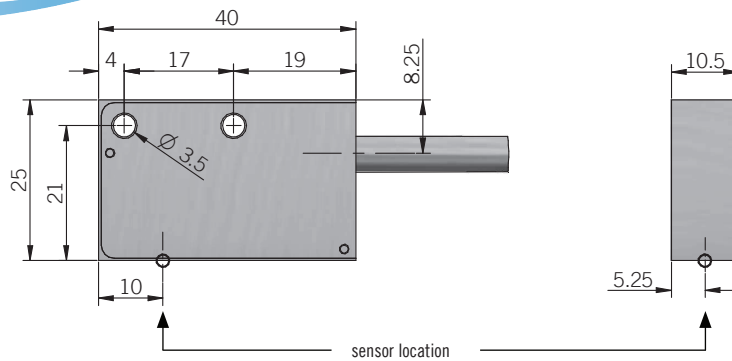


ORDERING CODE

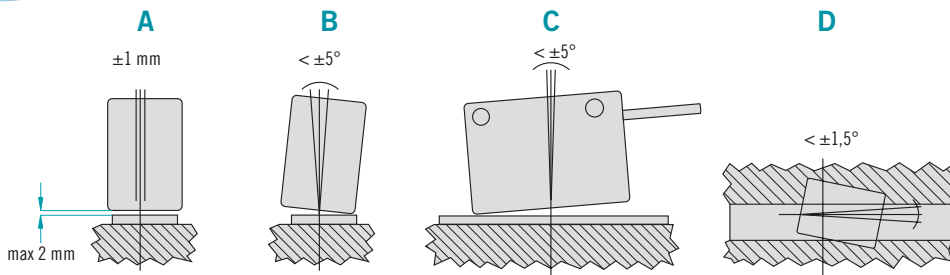
ETM A 1 Z 5 L S PR3 . XXX

SERIES magnetic incremental linear sensor ETM	VARIANT XXX custom version
TYPE horizontal A	OUTPUT TYPE PR3 cable length 3 m (standard) PR6 cable length 6 m PR10 cable length 10 m PR20 cable length 20 m
RESOLUTION 0,1 mm (0,025 mm reading all edges) 1 0,04 mm (0,01 mm reading all edges) 2	ENCLOSURE RATING S IP 67
ZERO PULSE without zero pulse S (ETMA 1) with zero pulse every 5 mm Z (ETMA 2) with zero pulse every 2 mm	ELECTRONIC INTERFACE P push-pull L line driver
POWER SUPPLY 5 V DC 5 8 ... 24 V DC 8/24 5 ... 28 V DC 5/28	

ETMA 1 / 2

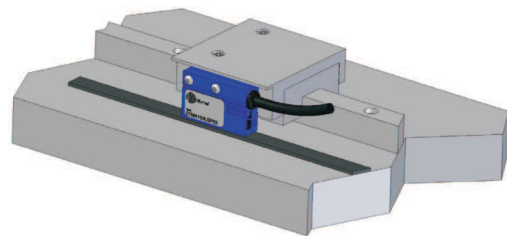


Mechanical tolerances



Electrical specifications

Resolution	0,1 mm (0,025 mm reading all edges ETMA 1) 0,04 mm (0,01 mm reading all edges ETMA 2)
Power supply	5 V DC $\pm 10\%$ 8 ... 24 V DC $\pm 5\%$ 5 ... 28 V DC $\pm 5\%$
Current consumption without load	30 mA max
Max load current	20 mA for channel
Electronic interface	push-pull line driver HTL / RS422
Linearity error	$\pm 0,025$ mm (ETMA 1) $\pm 0,01$ mm (ETMA 2)
Zero pulse	every 5 mm (ETMA 1) every 2 mm (ETMA 2)
Travel speed	4 m/s
Electromagnetic compatibility	IEC 61000-6-2 IEC 61000-6-3



Mechanical specifications

Enclosure rating	IP 67 (IEC 60529)
Shock	50 G, 11 ms (IEC 60068-2-27)
Vibration	10 G, 10 ... 2000 Hz (IEC 60068-2-6)
Housing material	anodized aluminium
Fixing	n. 2 holes $\varnothing 3,5$ mm
Operating temperature	$-10^\circ \dots +60^\circ \text{C}$
Storage temperature	$-25^\circ \dots +70^\circ \text{C}$
Working distance from magnetic band	ETMA 1 $< 1,5$ mm with magnetic cover ETMA 1 < 2 mm without cover ETMA 2 $< 0,5$ mm with magnetic cover ETMA 2 < 1 mm without cover
Weight	150 g

Connections

Function	5 wire colours	8 wire colours
+V DC	red	red
0 V	black	black
Ch. A	green	green
Ch. B	yellow	yellow
Ch. Z	blue	blue
Ch. A -	/	brown
Ch. B -	/	orange
Ch. Z -	/	white
\equiv	shield	shield